

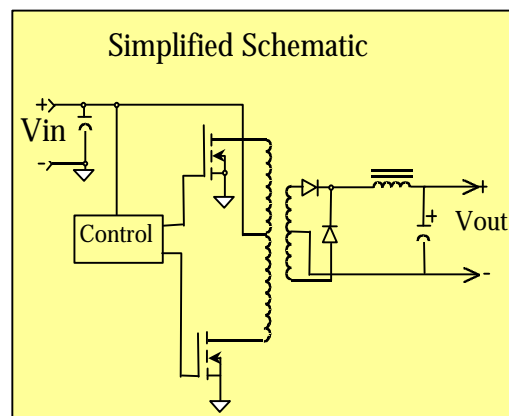
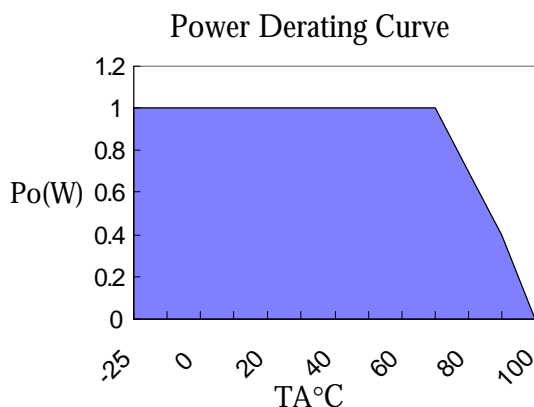
**0.5 -1.0 watt DC300D 14pins DIP/DC300S 7pins SIP package  
DC300D/DC300S Series**

**Feature:**

- Low Cost
- Miniature SIP/DIP Package
- 1000Vdc Input/Output Isolation
- Single and Dual Outputs
- No External Components required
- Low Profile and Compact Size

**Specifications: At 25°C**

<b>Input Specifications:</b>	<b>General Specifications:</b>
Input Voltage Range: $\pm 5\%$	Isolation Voltage: 1,000Vdc
Input Filter: Internal Capacitor	Efficiency: see table
<b>Output Specifications:</b>	Switching Frequency: 100Khz typical
Output Voltage & Current: see table	Isolation Resistance: 1000M ohm
Voltage Accuracy: $\pm 5\%$ max	<b>Environmental Specifications:</b>
Output Voltage Balance(Dual Outputs): $\pm 3\%$	Operating Temperature: -25 to + 71°C
Line Regulation(full load): $\pm 10\%$ max	Storage Temperature: -40 to +105°C
Load Regulation at full load to 1/4 load): $\pm 15\%$ max	Cooling: Free air convection
Temperature Coefficient: $\pm 0.05\%/^{\circ}\text{C}$ max	Derating: See Derating Curve
Ripple & Noise(20Mhz BW): 1% p-p max	Humidity Non-Condensing: 20 to 95% RH
Short Circuit Protection: Momentary	<b>Physical Specifications:</b>
	Case Material: Non-conductive plastic case
	Weight: 2.4grams typical



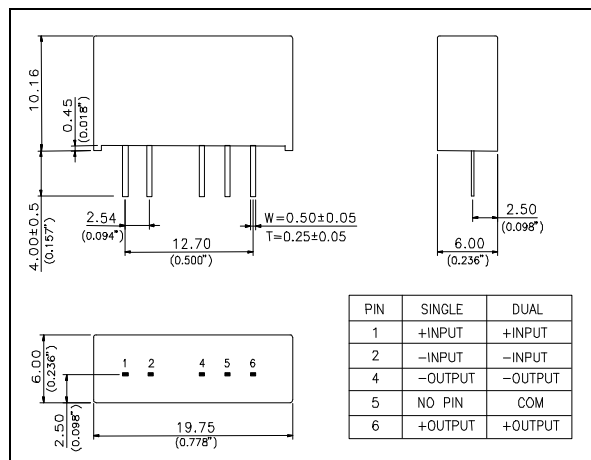
**0.5 - 1.0 watt DC300D 14pins DIP/DC300S 7pins SIP package  
DC300D/DC300S Series**

**Model Selection Table:**

Model no.	Input			Output		Efficiency Typical① %	Package
	Voltage (Vdc)	Current(mA)		Voltage (Vdc)	Current (mA)		
		No-Load	Full-Load				
DC301S	5	30	285	5	200	70	S
DC306S	5	30	265	9	110	75	S
DC302S	5	30	265	12	75	75	S
DC303S	5	30	265	15	60	75	S
DC311S	12	20	120	5	200	70	S
DC316S	12	20	110	9	110	75	S
DC312S	12	20	110	12	80	75	S
DC313S	12	20	110	15	68	75	S
DC307S	5	50	285	±5	±100	70	S
DC305S	5	50	265	±9	±56	75	S
DC308S	5	50	265	±12	±42	75	S
DC309S	5	60	265	±15	±34	75	S
DC317S	12	25	120	±5	±100	70	S
DC315S	12	25	110	±9	±56	75	S
DC318S	12	20	110	±12	±42	75	S
DC319S	12	20	110	±15	±34	75	D
DC307D	5	50	285	±5	±100	70	D
DC305D	5	50	265	±9	±56	75	D
DC308D	5	50	265	±12	±42	75	D
DC309D	5	60	265	±15	±34	75	D
DC317D	12	25	120	±5	±100	70	D
DC315D	12	25	110	±9	±56	75	D
DC318D	12	20	110	±12	±42	75	D
DC319D	12	20	110	±15	±34	75	D

①Efficiency is specified at nominal input voltage and full load.

**DC300S Series:**



**DC300D Series:**

